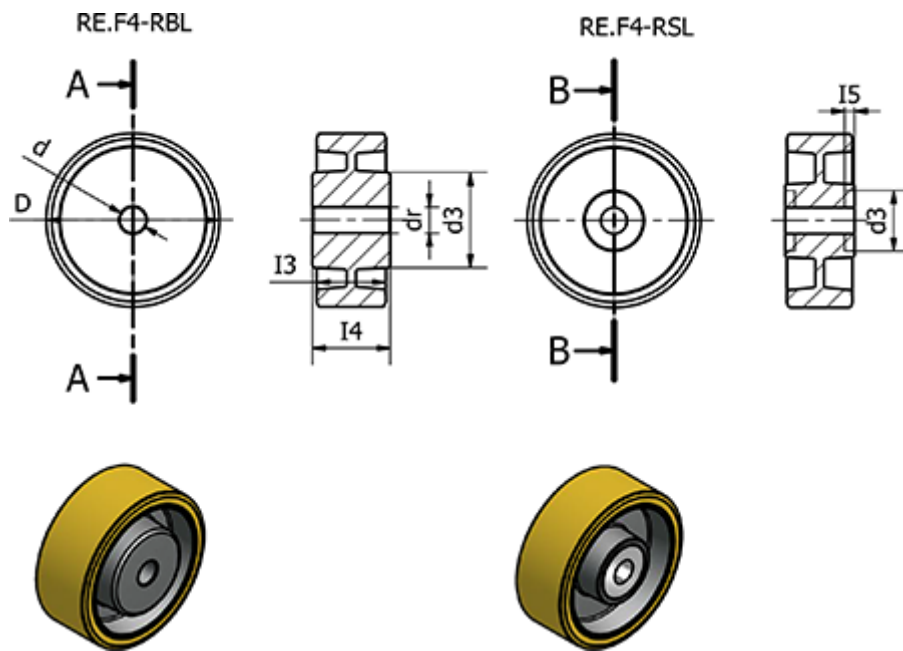


Article number: 2314451412

Description: E+G Cast iron wheel 451412  
RE.F4-125-RSL - loose wheel with ball bearings

## Measures



Code	= 451412	Max static load (N)	= 8000
d	= 125	Rolling resistance (N)	= 2700
d3	= 47	Type	= RE.F4-125-RSL
dr	= -	Weight (g)	= 1980
Dynamic carrying capacity (N)	= 5500		
I3	= 50		
I4	= 55		
I5	= 14		